

Flanges

for mounting clamps with swivel ball joint GN 784

SPECIFICATION

Stainless Steel AISI 304
matte, tumbled finish **MT**

Countersunk screw DIN 7991
Stainless Steel AISI 304

Half-length tapered groove pin
Stainless Steel AISI 304

INFORMATION

The GN 784.1 flanges are mounted from below into the GN 784 swivel ball joints (see page 1160). A half-length tapered groove pin prevents any rotation.

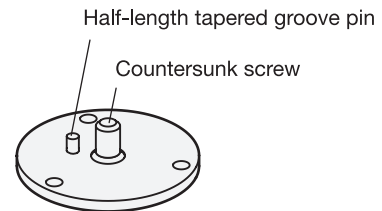
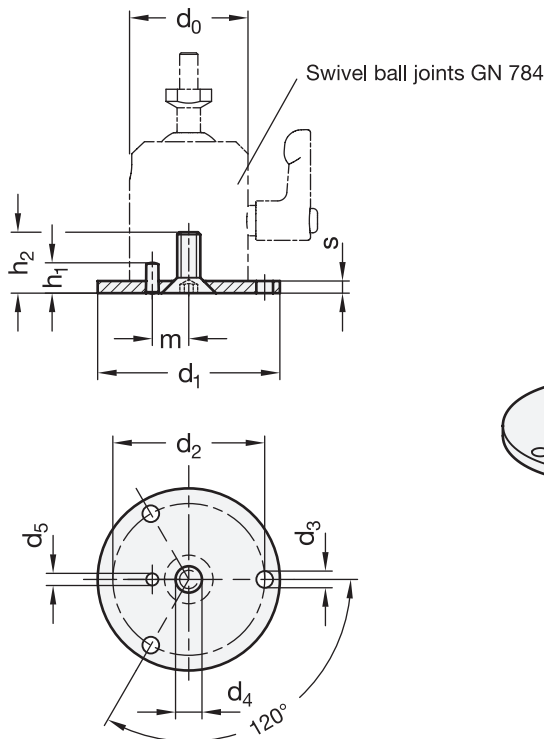
The flange enables the swivel ball joints to be mounted on the upper surface. The d_2 section with the three d_3 drill holes is configured so that standard screws with washers can be used.

The half-length tapered groove pin is mounted on the flange. The countersunk screw is included separately.



TECHNICAL INFORMATION

- Stainless Steel characteristics (see page A26)



GN 784.1

STAINLESS STEEL

| Description | d0 | d1 | d2 | d3 | d4 | d5 | h1 | h2 | m | s | ⚖ |
|----------------|----|----|------|-----|----|----|----|------|----|-----|-----|
| GN 784.1-42-MT | 23 | 42 | 32.5 | 4.5 | M5 | 2 | 6 | 8.5 | 7 | 2.5 | 29 |
| GN 784.1-49-MT | 31 | 49 | 40 | 4.5 | M6 | 3 | 6 | 10.5 | 9 | 3 | 46 |
| GN 784.1-60-MT | 39 | 60 | 50 | 5.5 | M8 | 4 | 10 | 14.6 | 12 | 4 | 91 |
| GN 784.1-70-MT | 49 | 70 | 60 | 5.5 | M8 | 4 | 10 | 14.6 | 16 | 4 | 122 |